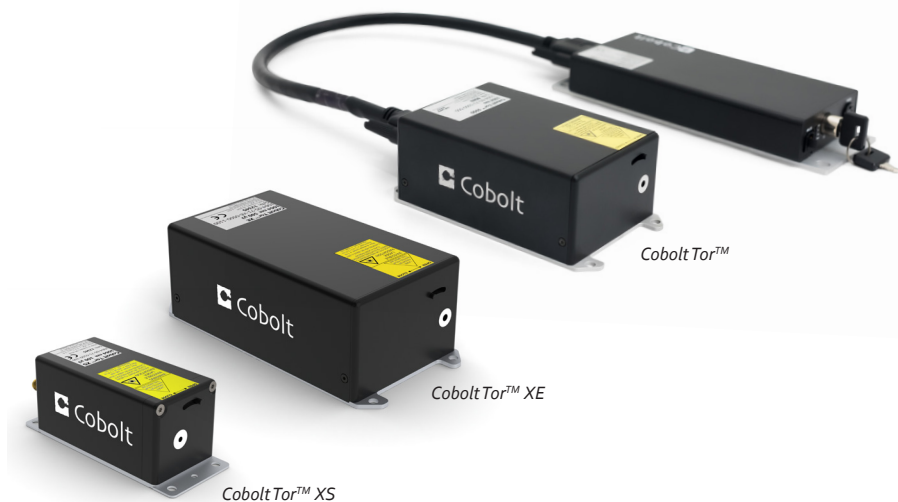


Cobolt Tor™ Series

High Performance | Triggerable | Q-Switched Lasers



- Compact high performance air-cooled nanosecond pulsed lasers
- Wavelengths : 355 nm, 532 nm and 1064 nm
- < 5 ns pulse width
- Cobolt Tor™ : Free running or burst mode, up to 7 kHz
- Cobolt Tor™ XS : Ultra compact, triggerable, up to 1 kHz
- Cobolt Tor™ XE : Compact, extended trigger capabilities, up to 1 kHz

The Cobolt Tor™ Series lasers are high performance Q-switched diode pumped lasers. The sophisticated cavity design of these lasers provides a unique combination of compact size and performance (short ns-pulses, high pulse repetition rates, exceptional pulse-to-pulse stability in a high-quality beam).

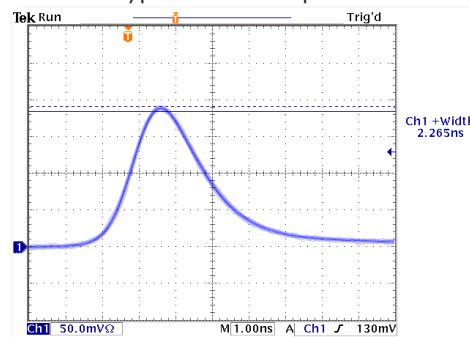
The Cobolt lasers are manufactured in Sweden by Cobolt AB, a part of HÜBNER Photonics. Using proprietary HTCure™ technology the lasers are packaged into a sealed laser head, offering an outstanding level of robustness and reliability, and making these lasers highly suitable for OEM integration into demanding environments.

The combination of compact size, high level of robustness, and outstanding performance make the Cobolt Tor™ Series lasers are ideal light sources for a large variety of industrial and scientific applications, including LIBS, LIDAR, marking, photo-acoustics, MALDI-TOF, micro-dissection, range-finding, and micro-machining.

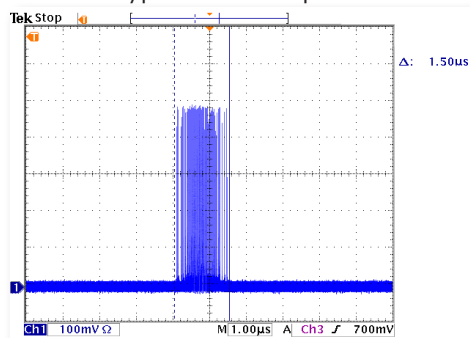
Applications

- LIBS
- LIDAR
- Laser Marking
- Photoacoustics
- MALDI-TOF

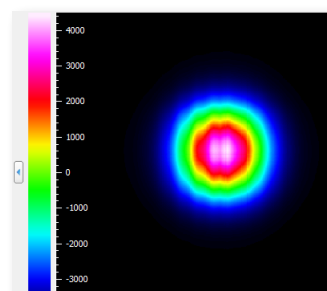
Typical Pulse Shape



Typical Jitter < 2 μs



Beam profile at exit - Tor XS 1064 nm



Cobolt Tor™ Series

Optical Performance Specifications

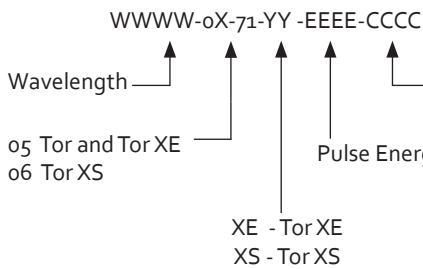
	Cobolt Tor™			Cobolt Tor™XS		Cobolt Tor™XE	
Operation mode	Free running			Triggerable		Triggerable	
Trigger mode	None			External		Internal, External, Gated	
Wavelength in air (nm)	354.8 ± 0.3	532.1 ± 0.3	1064.2 ± 0.6	532.1 ± 0.3	1064.2 ± 0.6	532.1 ± 0.3	1064.2 ± 0.6
Pulse Energy (µJ)	18 ± 3	60 ± 5	160 ± 15	50 ± 5	50 ± 5 100 ± 10	250 ± 25	500 ± 50
Peak Power (kW)	> 3	> 11	> 29	> 12	>12 > 25	> 75	> 128
Repetition Rate (kHz)	7			Single pulse up to 1 kHz			
Pulse Width (ns)	4 ± 1			2.5 ± 1.0		2 ± 1	2.5 ± 1.0
Pulse-to-Pulse Jitter (µs)	< 1			< 2			
Long-term stability (8 hrs ± 3°C)	< 3 %						
Spatial mode (TEM ₀₀)	M ² < 1.3	M ² < 1.15	M ² < 1.3	M ² < 1.15	M ² < 1.3	M ² < 1.15	M ² < 1.3
Divergence, full angle (mrad)	5 ± 2	8 ± 1	10 ± 1	6 ± 1	9 ± 1.5	5 ± 1	7 ± 1
Beam diameter at aperture (mm)	0.9 ± 0.3	1.0 ± 0.2	1.2 ± 0.3	0.4 ± 0.1	0.6 ± 0.1	0.4 ± 0.1	0.7 ± 0.1
Beam symmetry at aperture	> 0.65 : 1	> 0.85 : 1	> 0.90 : 1	> 0.85 : 1			
Polarization ratio (linear, vertical)	> 100:1						

1. Assuming a top hat profile, Peak Power (kW) = Pulse Energy (µJ) at bottom tolerance ÷ Pulse width (ns) at top tolerance

Operational Environment Specifications

	Cobolt Tor™	Cobolt Tor™XS	Cobolt Tor™XE
Power supply requirements	15 VDC, 6 A	5 VDC, 5 A	12 VDC, 6.67 A
Maximum laser head baseplate temperature	50 °C		
Ambient temperature, operation	10 - 40°C		
Ambient temperature, storage	-10 -> +60°C		
Humidity	0-90% RH non-condensing		
Ambient Air pressure	950-1050 mbar		
Laser Head heat sink thermal impedance at 40°C ambient	0.2 K/W	0.67 K/W	0.15 K/W
Maximum heat dissipation	< 63 W (typical 30W)	< 15 W	< 65 W (typical 55 W)
Warranty	12 months		

Model Number



Configuration:

100 = Compact, USB, CE / CDRH Compliant
 200 = Compact, USB, OEM
 300 = Compact, RS-232, CE / CDRH Compliant
 400 = Compact, RS-232, OEM

500 = Gen 5b Controller, RS-232, CE / CDRH
 600 = Gen 5b Controller, RS-232, OEM
 700 = Gen 5b Controller, USB, CE / CDRH
 800 = Gen 5b Controller, USB, OEM

1100 = iE, CE / CDRH compliant
 1200 = iE, OEM
 xxxx = OEM customization



WARNING VISIBLE AND INVISIBLE LASER RADIATION!

Avoid exposure to beam.
 Class 3B Laser Product.
 Classified per IEC 60825-1:2014



Cobolt Tor™
 Wvl MaxPulse
 355 nm 50 µJ / 3-5 nm



Cobolt Tor™ XS, 1 kHz
 532 nm 200 µJ / 1-4 ns
 1064 nm 300 µJ / 1 - 4 ns



Cobolt Tor™ XE, 1 kHz
 Wvl Max.Pulse
 532 nm 0.5 mJ / 1 - 4 ns



Avoid eye or skin exposure to direct or scattered radiation.
 Class 4 Laser Product. Classified per IEC 60825-1:2014



Cobolt Tor™, 7 kHz
 Wvl Max.Pulse
 532 nm 214 µJ / 3-5 ns
 1064 nm 286 µJ / 3-5 ns

This device is sensitive to Electrostatic Discharge (ESD).

Cobolt Tor™ XE, 1 kHz
 Wvl Max.Pulse
 1064 nm 1.0 mJ / 1 - 4 ns

Communication Interface

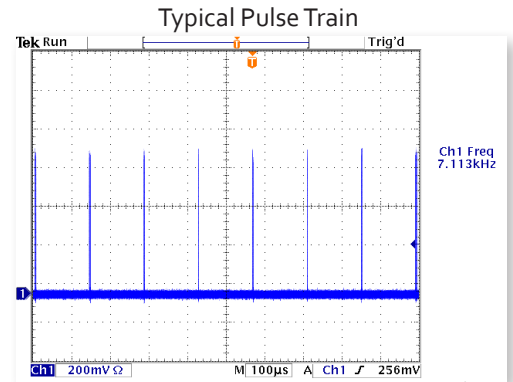
	Cobolt Tor™	Cobolt Tor™XS	Cobolt Tor™XE
Communication	USB or RS-232		USB and RS-232
Standard Baudrate	115200		
Pulse monitor	SMA, 50 Ω	---	SMB, 50 Ω

Cobolt Tor™ Series

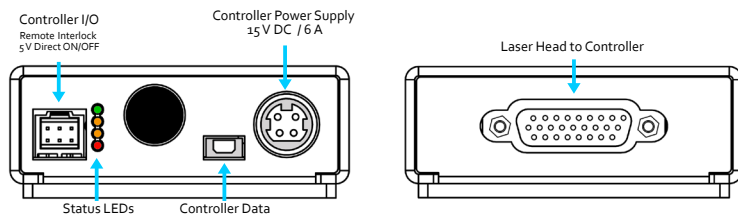
Cobolt Tor™

The Cobolt Tor™ lasers are air-cooled high-performance free-running Q-switched diode-pumped lasers with the highest repetition rate in the Cobolt Tor™ Series. The Cobolt Tor™ lasers have two main operation modes, constant drive current, or constant pulse repetition rate. The pulse energy and repetition rate can be altered by adjusting the drive current of a laser. The lasers are equipped with a pulse-count feedback loop to ensure minimum drift in output power and repetition rate, and also to provide a pulse-trigger output signal for convenient synchronisation of detection systems.

Cobolt Tor™ lasers are ideal light sources for a large variety of industrial and scientific applications, including LIBS, micro-dissection, MALDI-TOF, range-finding, Raman-LIDAR and micro-machining.



Electrical Interfaces - Cobolt Tor™

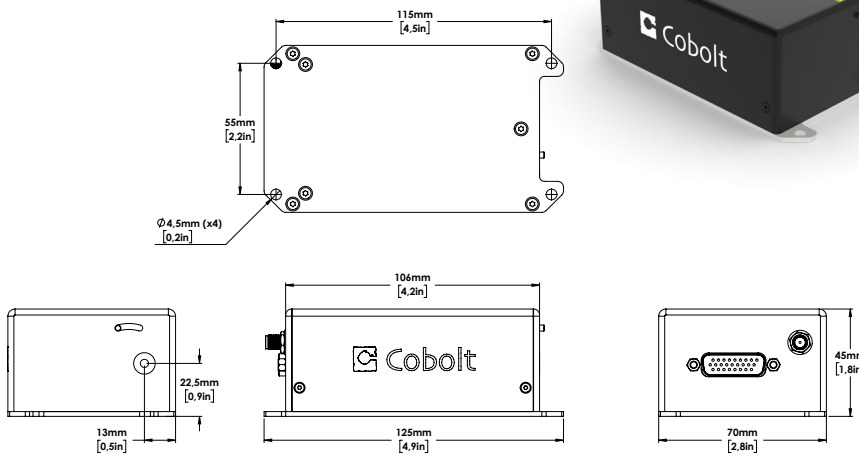


Molex 6 pin - Controller I/O

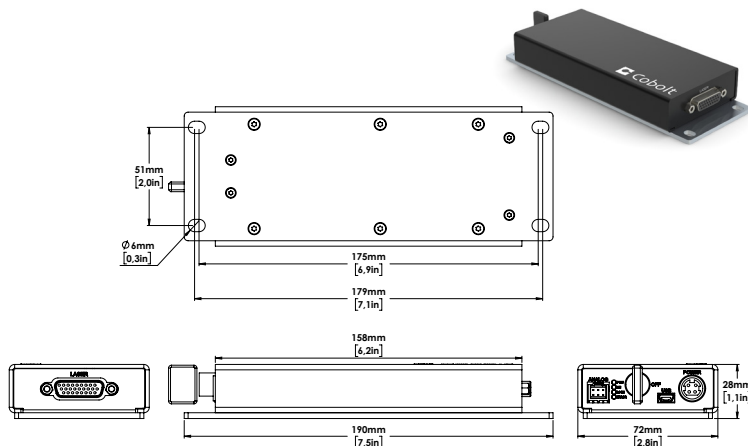
Pin	Function
1	Remote interlock
2	0 V – Ground
3	Direct On/Off (+5 V Input)
4	--
5	LED 1 (LASER ON)
6	LED 2 (ERROR)

Mechanical Specifications - Cobolt Tor™ Laser head and Controller

Laser Head



Controller



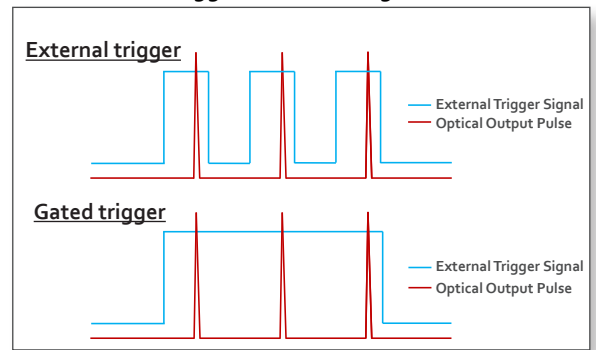
Cobolt Tor™ Series

Cobolt Tor™ XE

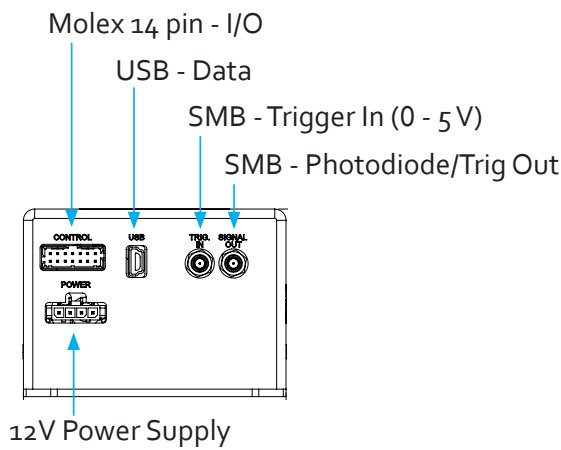
The Cobolt Tor™ XE lasers are air-cooled high-performance triggerable Q-switched diode-pumped lasers with the highest pulse energy within the Cobolt Tor™ Series. Drive electronics are integrated into the laser head and a variety of trigger modes are available: internal, external, and gated, which is a combination of both external and internal trigger sources. An external trigger pulse length is defined within a range of hundreds of microseconds (listed in the manual for external and gated modes) for convenient synchronisation with other equipment. An external trigger signal connected to the SMB or Molex connector marked "Trig In" on the backside of the laser. The laser is equipped with a pulse monitor to control the measured repetition rate of the laser.

The combination of compact format, high level of robustness, high average power and pulse energy performance make the Cobolt Tor™ XE lasers ideal light sources for a large variety of industrial and scientific applications, including LIBS, micro-dissection, MALDI-TOF, range-finding, Raman-LIDAR and micro-machining.

Trigger to Pulse Diagram



Electrical Interfaces - Cobolt Tor™ XE

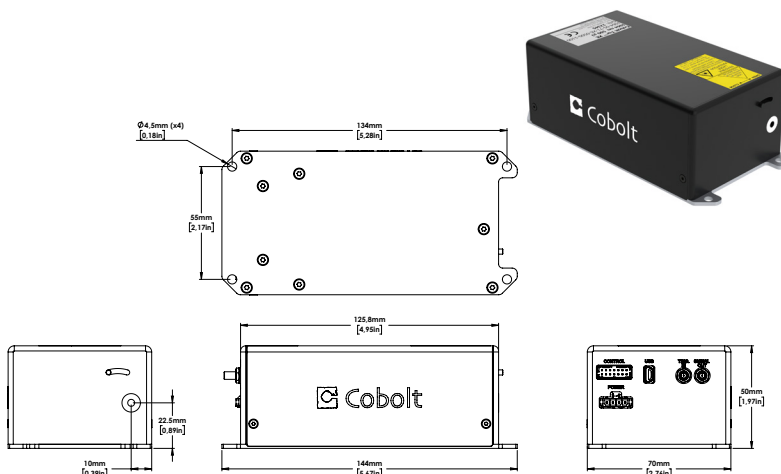


Molex 14 pin - To Key control box

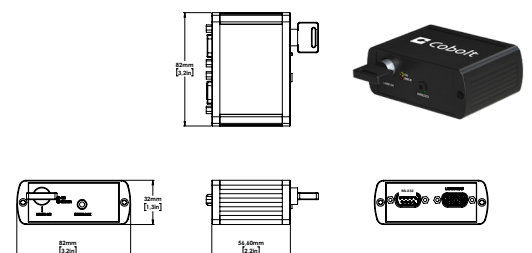
Pin	Function
1	Remote interlock
2	0 V – Ground
3	not used
4	RS232 Tx
5	RS232 Rx
6	Laser ON LED (1)
7	Laser ON LED (2)
8	Error LED (2)
9	not used
10	not used
11	Key
12	Direct Input
13	Ground
14	Trigger In (0 - 5 V)

Mechanical Specifications - Cobolt Tor™ XE Laser Head

Laser Head - Standard



Key control box - CE/CDRH compliant systems



Cobolt Tor™ Series

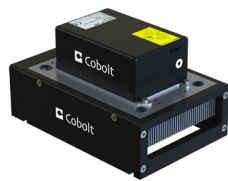
Options and Accessories

- Laser head heatsink for passive cooling of Cobolt Tor™ XS : HS-03
- Laser head heatsink with fans for Cobolt Tor™ : HS-04
- Laser head heatsink with fans for Cobolt Tor™ XE : HS-05
- TEC Plate for active baseplate temperature control

For more information about Cobolt Options and Accessories visit : <https://hubner-photonics.com/products/lasers/options-accessories/>



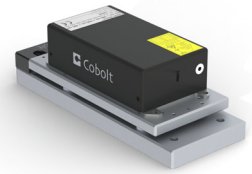
Passive Heatsink HS-03



Heatsink with fans HS-04



Heatsink with fans HS-05



TEC-Plate for active baseplate temperature control

Our Locations

Cobolt AB, a part of HÜBNER Photonics
(Sales in Norway, Sweden, Finland and Denmark)
Solna, Sweden
Phone: +46 8 545 912 30
Fax: +46 8 545 912 31
E-mail: info@coboltlasers.com

HÜBNER Photonics GmbH
(Sales in Germany, Switzerland and Austria)
Kassel, Germany
Phone: +49 561 994 060 - 0
Fax: +49 561 994 060 - 13
E-mail: info.de@hubner-photonics.com

HÜBNER Photonics Inc.
(Sales in USA, Canada and Mexico)
San Jose, California, USA
Phone: +1 (408) 708 4351
Fax: +1 (408) 490 2774
E-mail: info.usa@hubner-photonics.com

HÜBNER Photonics UK
(Sales in UK & Ireland)
Derby, Great Britain
E-mail: info.uk@hubner-photonics.com

Find local sales representatives at www.hubner-photonics.com

Australia, Benelux, Brazil, China, Estonia, Latvia, Lithuania, France, India, Israel, Italy, Japan, Poland, Russia, Belarus, Singapore, Malaysia, Thailand, South Korea, Spain and Portugal, Taiwan