

# Cobolt FIC-o6

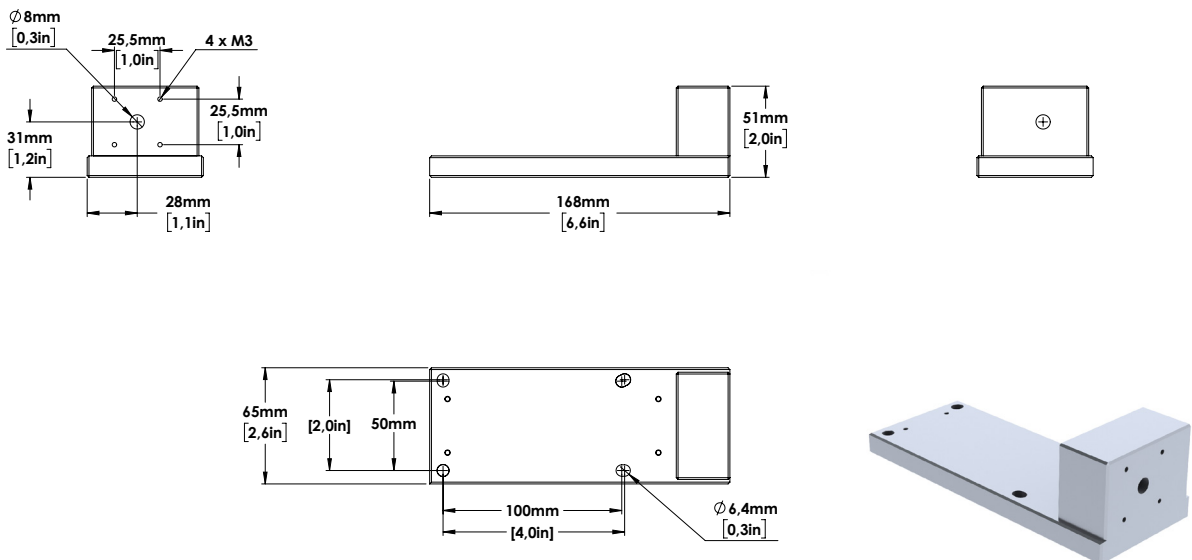
## Mounting plate for laser-to-fiber coupling

Cobolt model number	FIC-o6
Material	Aluminium
FIC-o6 is suitable for use with lasers in the following series:	Cobolt o8-o1 Series with isolator
Dimensions [mm] [inches]	168 x 65 x 51 6.6 x 2.6 x 2,0
Weight	1 kg



The option FIC-o6 is recommended with isolator for the Cobolt o8-o1 Series lasers. This option consists of a mounting plate for the laser and a coupling block to mount the fiber coupler onto.

Fiber coupling options for either multimode fiber (MM) or single-mode polarization maintaining (SM/PM) fiber can be ordered separately. The FIC-o6 is designed to be bolted to a standard metric or imperial optical table.



*Illustration of possible configuration. Laser and fiber coupling option should be ordered separately.*