

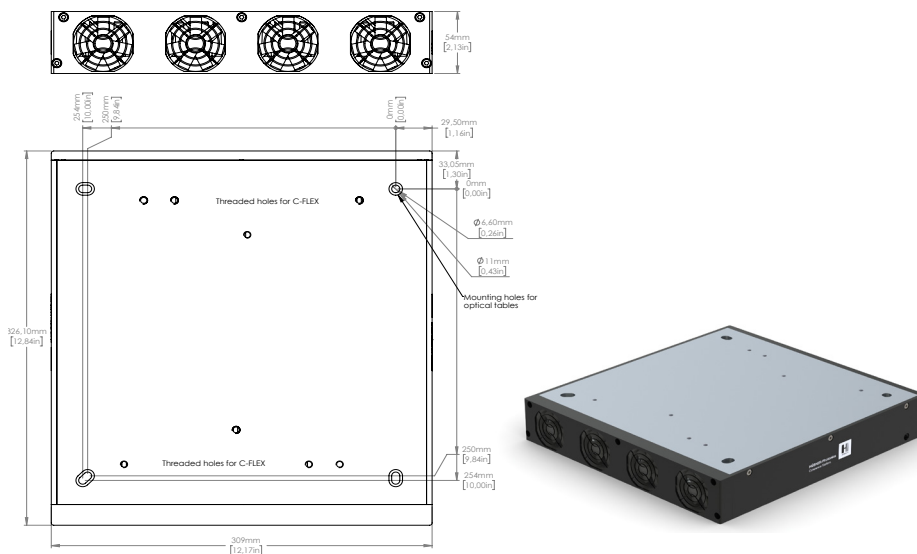
C-FLEX Heatsink

Laser combiner

Cobolt model number	Heatsink C-FLEX C6	Heatsink C-FLEX C4
Thermal resistance	< 0.1 K/W	
Material	Aluminium	Aluminium
This Heatsink is suitable for use with the following models:	C-FLEX laser combiner 6-line = C6	C-FLEX laser combiner 4-line = C4
Dimensions [mm] [inches]	326 x 309 x 54 mm	326 x 209 x 54 mm
Power supply requirements	12 VDC 0,66A	12 VDC 0,66A
Weight	4 kg	3,5 kg



HEATSINK C-FLEX C6



HEATSINK C-FLEX C4

